

NightRider™ LED S

REMOTE CONTROL SEARCH LIGHT

Thank you for purchasing a genuine NightRider™ Product.

Please read all the information in this document before installation and use,

Operating Instruction



This light can fully rotate around its axis (360°) and tilt 110°. The beam is directed remotely with the help of a remote control unit, activating or deactivating the LED panel and two different motors, one for the tilting the other for the rotating movement.

The light is also equipped with an SOS function, making the strong beam flash in accordance with the international distress signal, SOS.

Available in both flood beam and spot beam models.

Specifications

Input Voltage: 10-30V DC

Power: 80W Theoretical / 42W Actual

Lumens: 6,720lm Raw / 4,600lm Effective

IP Rating: IP67 - Waterproof to 1m submersion

Internal Temperature Control System (TCS) for maximum performance

Remote Control Effective Working Distance: 15-20m

Installation: Magnetic Mount / Fix Mount (Fix mount is recommended due to the light's considerable weight)

SOS Function: Light can emit SOS distress signal

Weight: 3.2kg / 7.1 pounds

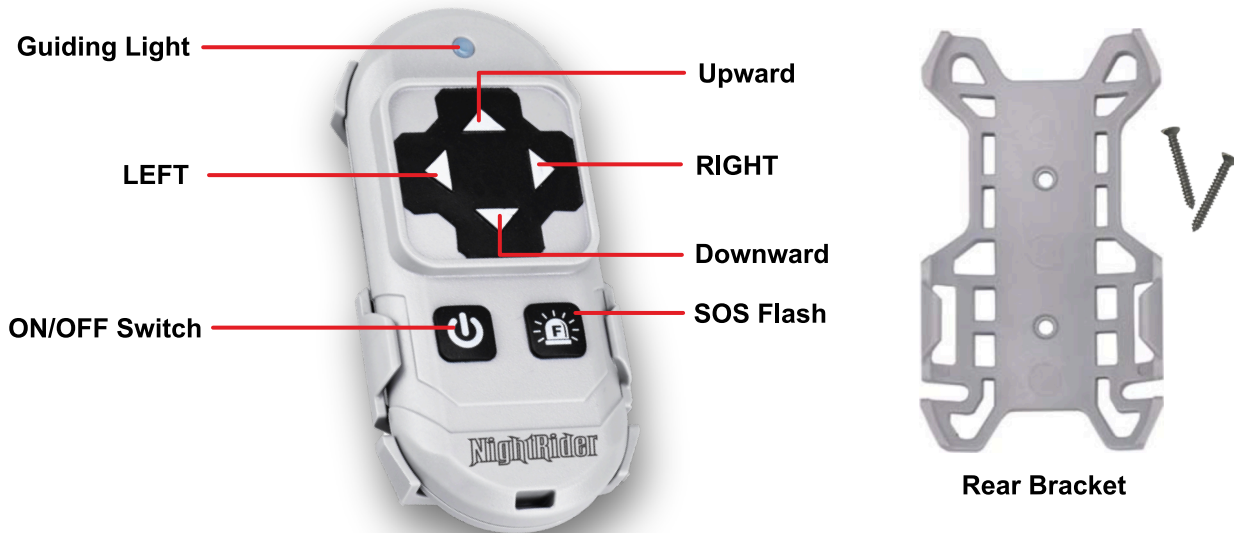
Light will go back to stow position when turned off

Remote Control

Keypad Operating Instructions

This remote control uses EV1527 to control one LED panel and two groups of motors within the light. There are six buttons in total.

FRONT



On/Off Switch - press to turn Search Light on and off (Light needs to be hooked up to power).

SOS Distress Signal Button: With the light already turned on, press this button to activate the SOS signal: the light will flash with 3 long and 3 short flashes within the time frame of 2 seconds and then repeat the same sequence. When pressed again, the light will stop flashing and go back to being steady on.

Upward: Press this button and the light will tilt up. Keep pressing and the light will keep tilting upwards until the maximum angle is reached.

Downward: Press this button and the light will tilt down. Keep pressing and the light will keep tilting downwards until the maximum angle is reached.

LEFT: Press this button to turn the light left. Keep pressing this button and the light will keep rotating to the left (anticlockwise, 360°).

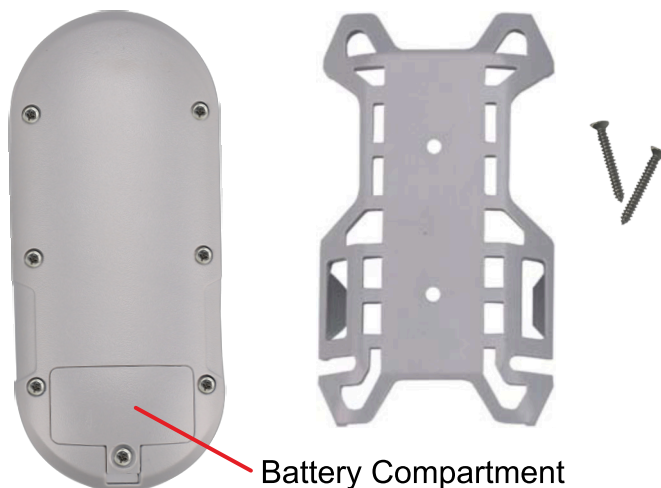
RIGHT: Press this button to turn the light right. Keep pressing this button and the light will keep rotating to the right (clockwise 360°).

BACK



Remote control takes
1 x 12V 23A battery

Working Range of
remote control: 15-20 meters



Coding & Lifting Code

The remote controller works normally without coding. However, coding is recommended to avoid disturbance from other remote controllers.

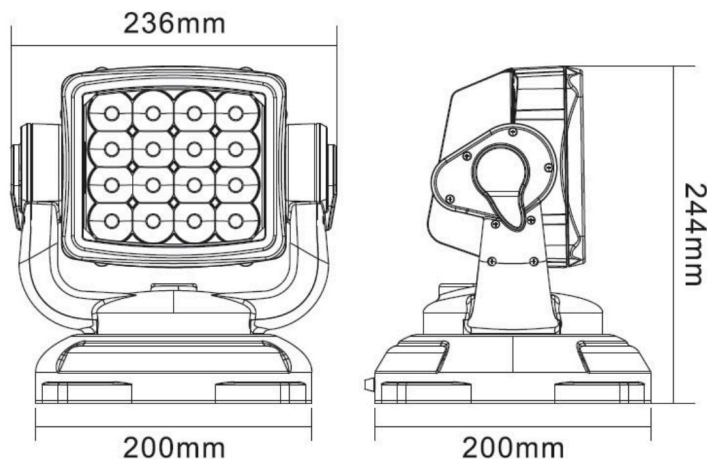
How to code

1. Disconnect light power source for 3-5 seconds.
2. Reconnect power
3. Press and hold the on/off button for at least 6 seconds or until the light flashes three (3) times (long-flash), Pairing succeeded.
4. Second controller Pairing, Repeat step #1, #2 and #3
5. One light can be paired to 2 remotes at most. When a third remote is paired to the light, the first paired remote will automatically be removed.

How to Lift Code

1. Connect the light to a 12V/24V DC power source, do not turn the light on.
2. Use any remotes, no matter if it was paired previously or not, press and hold the SOS Flash button for at least 6 seconds, or until the light flashes three (3) times, indicating that unpairing succeeded, any remotes that paired to this light previously now have been cleared.

Dimensions: 244x236x200mm



BOX CONTENTS:

- 1 x Remote Controlled Search Light (NSRL80F/S-RC)
- 2 x Remote Controls
- 2 x 12V 23A Batteries for Remote Controls
- 2 x Brackets for Remote Controls with screws for mounting
- Hardware for fix mounting the light

Please Note: This light has powerful magnets in its base for mounting it magnetically. However, due to its considerable weight, we encourage to fix mount this light as vibrations could loosen the grip of the magnets.

FCC Warning Statement

Changes or modifications not expressly approved by the party responsible for compliance could void the user's authority to operate the equipment. This equipment has been tested and found to comply with the limits for a Class B digital device, pursuant to Part 15 of the FCC Rules. These limits are designed to provide reasonable protection against harmful interference in a residential installation. This equipment generates, uses and can radiate radio frequency energy and, if not installed and used in accordance with the instructions, may cause harmful interference to radio communications. However, there is no guarantee that interference will not occur in a particular installation. If this equipment does cause harmful interference to radio or television reception, which can be determined by turning the equipment off and on, the user is encouraged to try to correct the interference by one or more of the following measures:

- + + Reorient or relocate the receiving antenna.
- + + Increase the separation between the equipment and receiver.
- + + Connect the equipment into an outlet on a circuit different from that to which the receiver is connected.
- + + Consult the dealer or an experienced radio/TV technician for help.

This device complies with part 15 of the FCC Rules. Operation is subject to the following two conditions:

- (1) This device may not cause harmful interference, and
- (2) this device must accept any interference received, including interference that may cause undesired operation.

The device has been evaluated to meet general RF exposure requirements.