

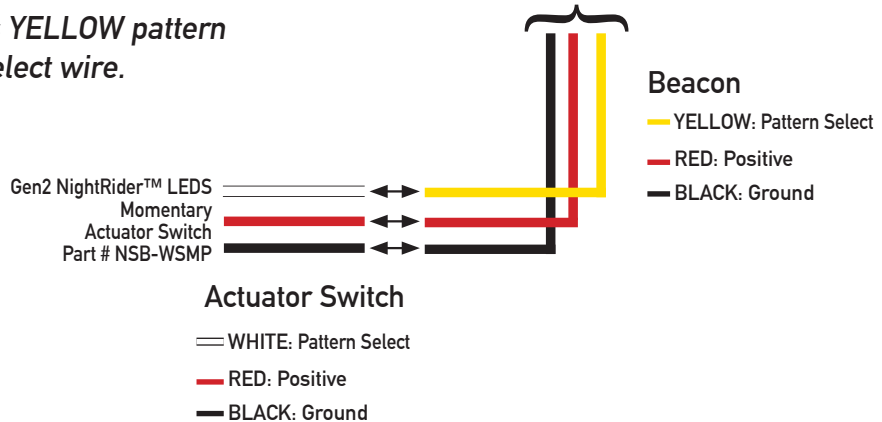
Thank you for purchasing a genuine NightRider™ LEDS product.  
Please use this Gen2 Beacon Switch for hardwiring the following 17" beacons:  
NSB-BAR17CLR, NSB-BAR17AMB, NSB-BAR17AB

### WIRING YOUR BEACON to the Momentary Actuator Switch

*Please make sure to connect your beacon's YELLOW pattern select wire to the switch's WHITE pattern select wire.*



### NightRider™ LEDS 17" Beacons (NSB-BAR17CLR, NSB-BAR17AMB, NSB-BAR17AB)



NightRider™ LEDS takes no responsibility for incorrect installation and/or damages related. This guide is for reference purposes only. If unsure about your electrical system, contact your dealer or qualified professional automotive/equipment technician. It is the vehicle operator's responsibility to ensure all product installations are properly, safely and legally installed in accordance to regional regulations of use.

For more information contact your local dealer. Find a dealer: [www.nightriderleds.com](http://www.nightriderleds.com)